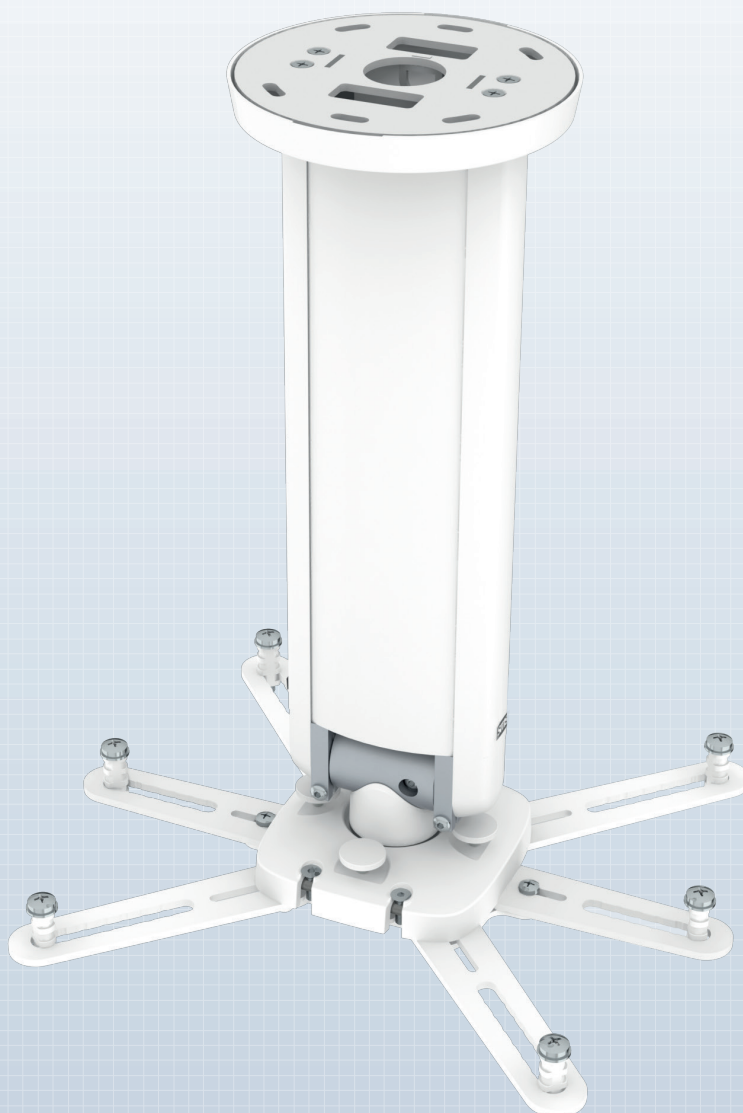


SMS PROJECTOR PRECISION PRO



Heavy projectors have never been so light.

A ceiling bracket for heavy projectors that is easy to install, easy to adjust and easy to service. An ingenious design that is both attractive and extremely stable. The rotatable ceiling plate and the concealed cable feed in the column make the installation as simple as it is discreet. And it's easy to achieve the perfect image with the aid of easy-to-use forwards and backwards tilt controls and left-right rotation. Clever spacers make installation quicker and easier. The bracket is delivered with a universal slide that can be used with most heavy projectors. A safety wire is included for maximum safety. Maximum load 30 kg. Finish: white.

QUESTIONS AND ANSWERS

Will the bracket fit my ceiling height?

The SMS Projector Precision Pro is supplied in three versions with lengths of 250, 500 and 1,000 mm.

Is it necessary to carry out major rebuilding work when installing the SMS Precision Pro in a room with a suspended ceiling?

A special extension pipe, the SMS Precision Pro Pipe, is available for this purpose. The pipe is very narrow and thus holes in the suspended ceiling are small.

INFO

- Finish: white
- Maximum projector weight: 30 kg
- Minimum projector size: depends on the hole pattern on the lower surface of the projector
- Weight: 4 kg - 8,2 kg
- Length: Fixed lengths of 250, 500 and 1,000 mm, which can be cut
- Fine adjustment: fine adjustment does not require any tools
- A universal slide is included in the delivery
- Forward/backward-tilt and rotatable left - right
- A safety wire is included for maximum safety
- Clever spacers for easy and quick installation

ART. NO.

PP170001
PP170002
PP170003

DESCRIPTION

SMS Projector Precision Pro 250
SMS Projector Precision Pro 500
SMS Projector Precision Pro 1000

ACCESSORIES

Extension pipe for installation with a suspended ceiling

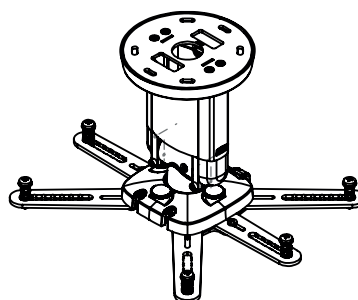
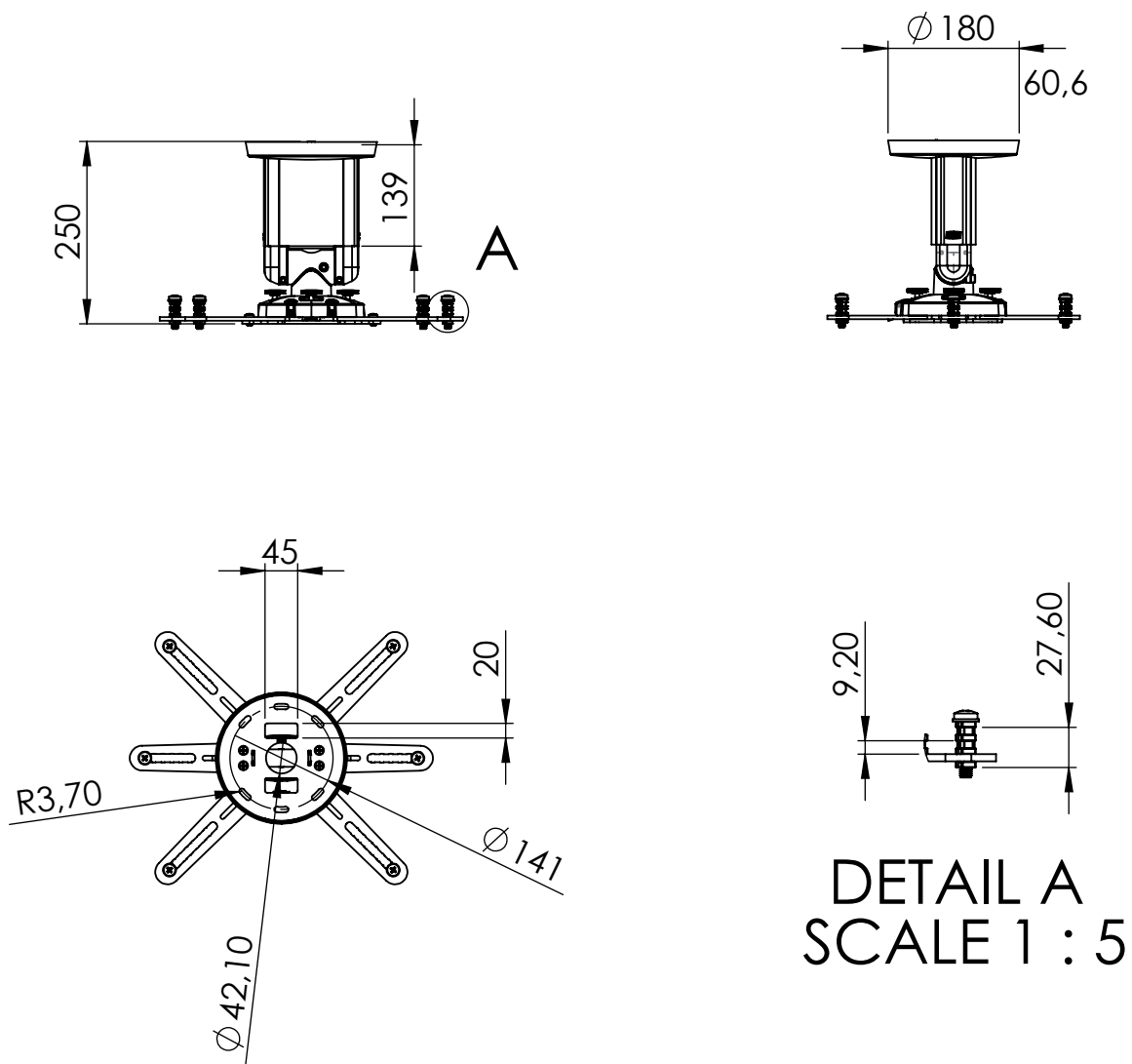
Art.no.

PP170050
PP170051

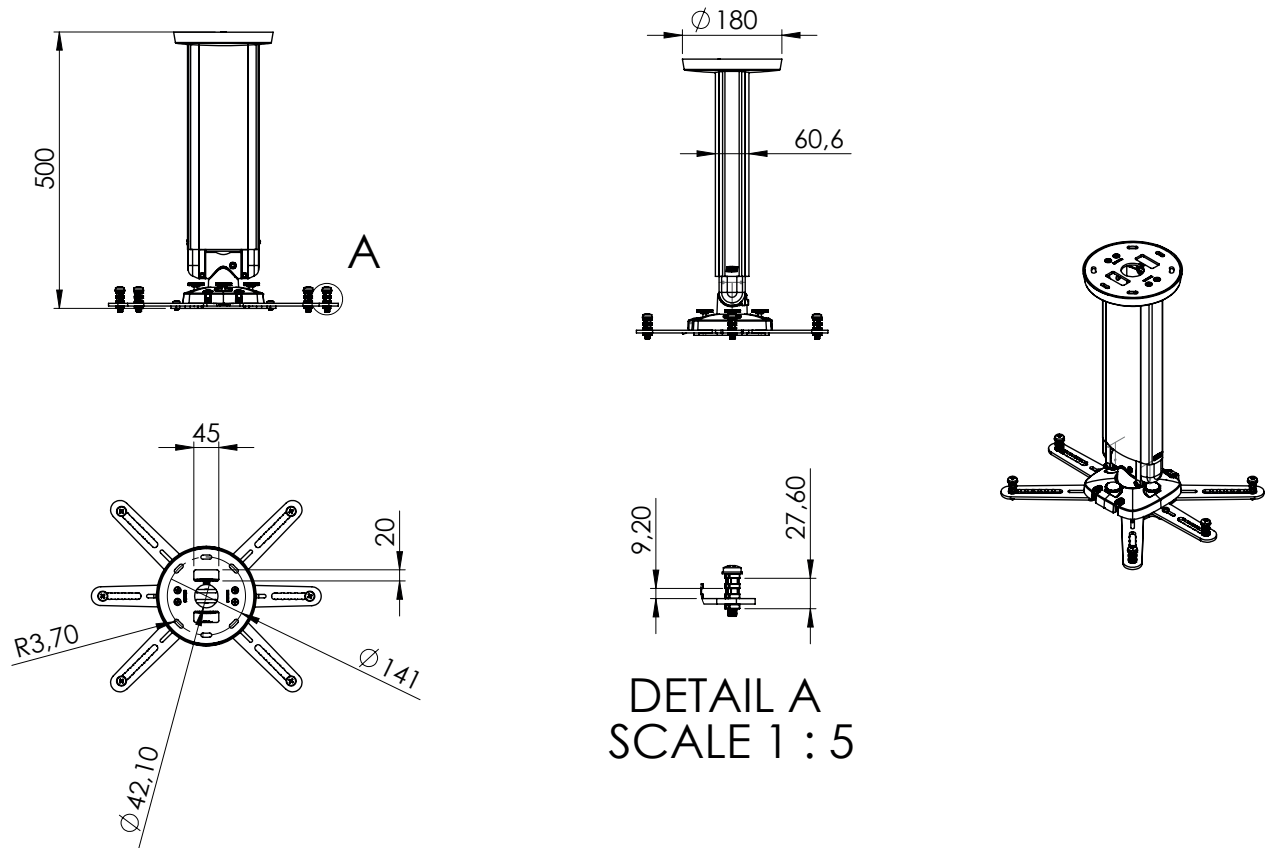
Description

SMS Projector PRO Ext 440-800
SMS Projector PRO Ext 790-1500

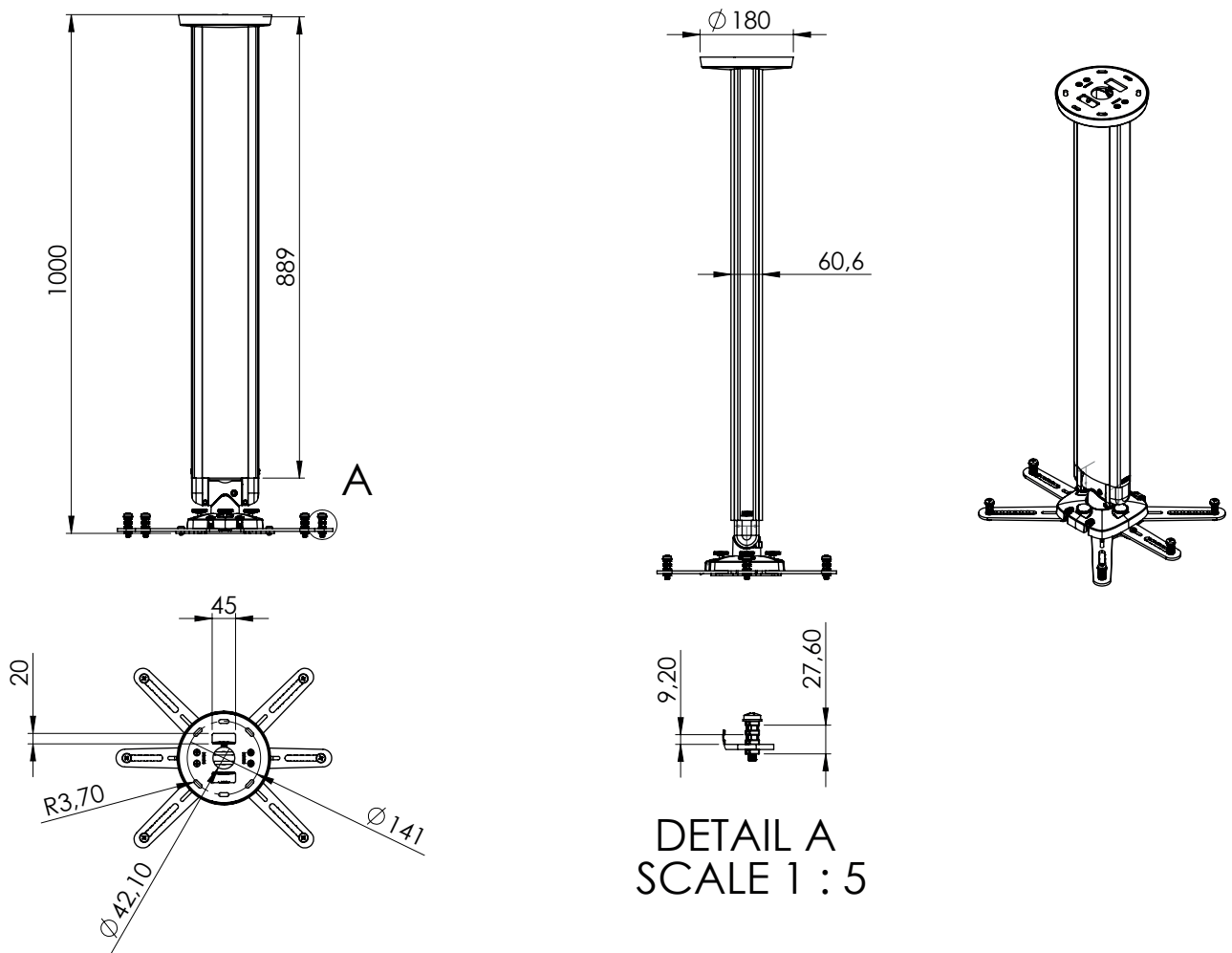
Technical drawing (mm)
PP170001 / SMS Projector Precision PRO 250



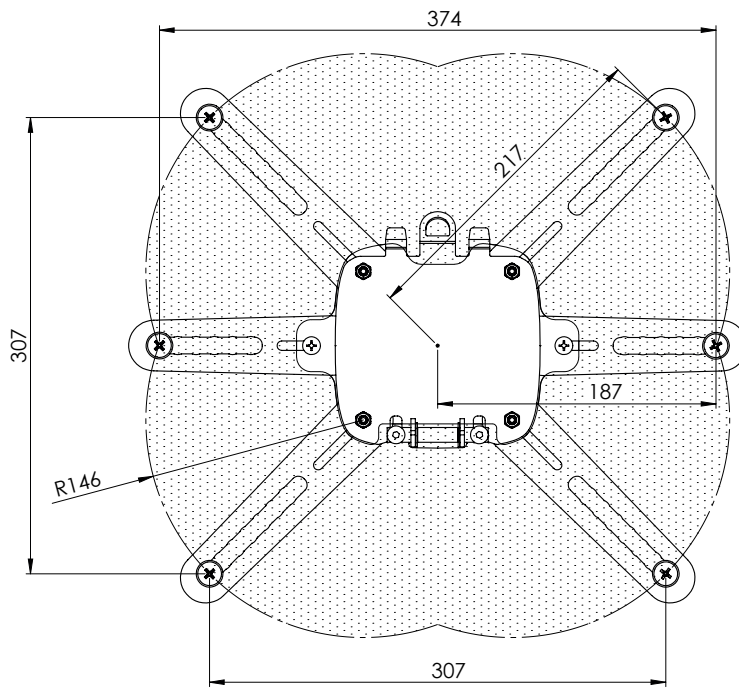
Technical drawing (mm)
 PP170002 / SMS Projector Precision PRO 500



Technical drawing (mm)
 PP170003 / SMS Projector Precision PRO 1000



Technical drawing (mm)
 PP170001-02-03 / SMS Projector Precision PRO
 Max Hole Pattern



Technical drawing (mm)
 PP170001-02-03 / SMS Projector Precision PRO
 Min Hole Pattern

